



Sifter

PT-S150 PT-S300



## Sifter PT-S150 PT-S300

### Easy to customize

- Inclination of the sieve tray adjustable to adapt to the conveying properties of the screenings
- Infinitely adjustable amplitude of the drive, in order to be able to vary the conveying speed

### Easy to clean

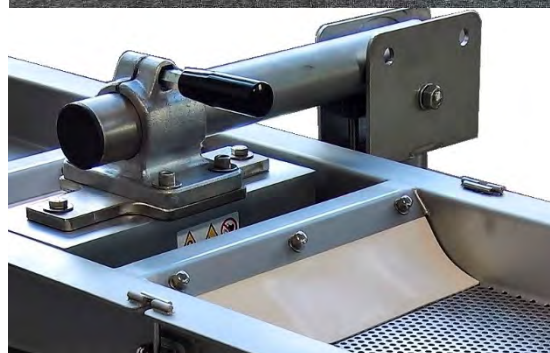
- Screen insert with quick release fastened for easy and quick disassembly
- smooth surfaces, completely made of stainless steel, wipe and clean

### Easy to set up

- compact design, safe to transport, easy to move, quick to align

These screeners have been optimized specifically for use in the production of compounds and masterbatches. Compact and ergonomically designed. Flexible, robust and highly efficient in use.

Optionally with swivelling magnetic plate separator to separate pellets with metal inclusions from the product flow

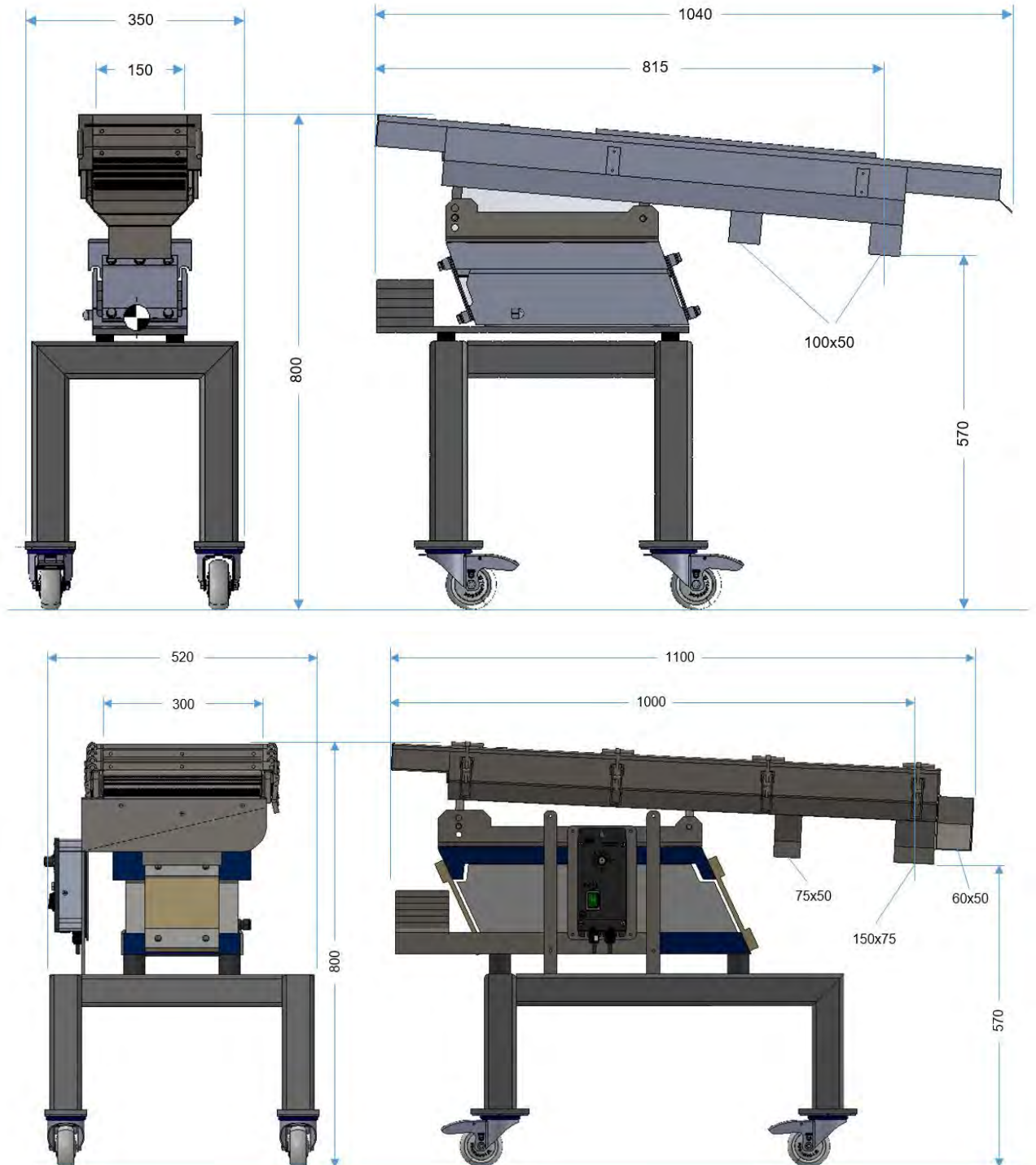


### Data:

Sifter		PT-S150		PT-S300	
Working width	[mm]	150		300	
No. sieve inserts		1		1	
Punching	[mm]	Ø2,0 - Ø7,0	Ø2,0 - Ø5,0	Ø2,0 - Ø7,0	Ø2,0 - Ø5,0
Throughput range	[kg/h]	max. 200	max. 150	max. 400	max. 300
Drive power	[kW]	0,3		0,5	
Type of drive		Magnetic vibratory drive		Magnetic vibratory drive	
Fractions		Under size / on-spec./ over size		Under size / on-spec./ over size	
Sound level	[dB(A)]	<= 85		<= 85	
Weight	[kg]	70		90	



**Dimensions:**



Of course, the sifter could be completed with a suitable cooling trough, air knife and pelletizer forming a complete pelletizing line. The adaption of our equipment to existing pelletizing lines, as well as the delivery of special customized machinery will be executed flexible, quick and affordable.



### About us:

The PT Maschinenbau GmbH is a privately owned company, located in southern Germany. As specialists in strand pelletizing we deliver our products from here to customers throughout whole Europe and worldwide.

We bundle up the core competencies for design, engineering and construction of our products. For the further provision of services we complement our abilities us by using a proven network of suppliers and service providers. We prefer generating our products by using local and European suppliers.



During decades of working in this business area we have gained a comprehensive experience, derived from countless projects with notable customers in all industry sectors and countries. Based on this know-how, with a long lasting and well-rehearsed team, we generate proven, reliable and durable solutions for our customers.

### Scope of products:

Cooling				Drying	Cutting	Sifting
Cooling trough	Cooling belt	Strand conveyance	Water circulation	Air wipe Air knife	Pelletizer	Sifter
PT-K150	PT-B100	PT-C100	PT-W20	PT-D50	PT-G50E	PT-S150
PT-K200	PT-B200	PT-C200	PT-W40	PT-D100	PT-G100E	PT-S300
PT-K250	PT-B300	PT-C300	PT-W60	PT-A75	PT-G120D	PT-S400
PT-K400			PT-W90	PT-A150	PT-G220D	PT-S400-DD
PT-K600			PT-W120	PT-A300	PT-G320D	PT-S550-DD
PT-K800			PT-W150	PT-A400		
				PT-A600		

PT Maschinenbau GmbH  
Schafweide 3  
D-63762 Grossostheim

Telefon: +49-(0)6026-95180-04  
Telefax: +49-(0)6026-95180-05  
eMail: office@pt-maschinenbau.com

Information and illustrations refer to the date of printing.  
Subject to change. Version 2.1 - 2018-01