



Pelletizer
PT-G50E - monodrive



Pelletizer PT-G50E - monodrive

handy

- little need for space
- very good usability
- easy to clean

versatile

- with 16 possible combinations:
 - Operating side: left / right (mirror image)
 - Drive: 0.75 kW / 1.1 kW
 - Speed: 7.5-30 m / min / 15-60 m / min
 - Cutting rotor: tool steel / tungsten carbide flexible to configure
- pneumatic roller pressing with sensitive regulation and pressure indication
- optionally with interface to a higher-level controller (Industry 4.0 ready)
- optionally with noise insulation hood

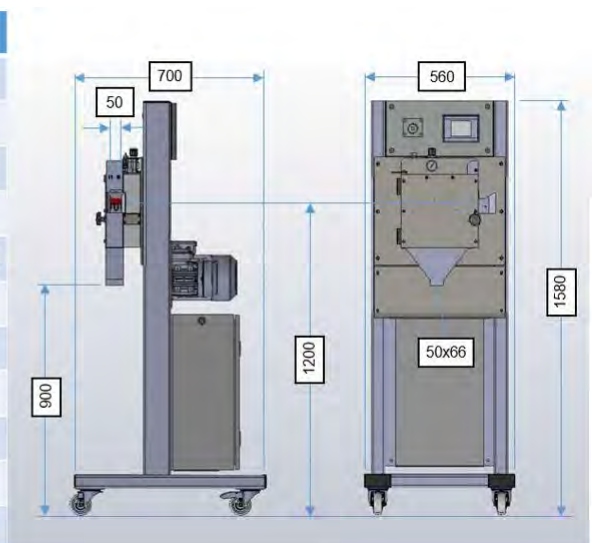
affordable

- • surprisingly low price and fast deliverable

The pelletizer PT-G50E - monodrive is optimally suited for laboratory, pilot plant and small volume production. With specially tuned drive for high torque, secure intake and powerful cutting.

Data / Dimensions:

	Pelletizer	PT-G50E
Working width	[mm]	50
No. of strands		max. 8
Throughput range	[kg/h]	max. 300
Drive power	[kW]	0,25-1,5 / 0,25-2,2
Velocity	[m/min]	7,5-30 / 15-60 / 22,5-90
Cutting length	[mm]	1,5-3,0 / 2,0-4,0
Cutting tool mat.		S01 / H02
Roller material		E01 / S02
Roller pressure		pneumatically
Sound level	[dbA]	<= 85
Weight	[kg]	150





Throughput rates:

Pelletizer		PT-G50E-0,25/1,5			PT-G50E-0,25/2,2				
Velocity range [m/min]			7,5 - 30	15 - 60	22,5 - 90		7,5 - 30	15 - 60	22,5 - 90
Produkte	[g/cm ³]	Strands	Throughput [kg/h]		Strands	Strands	Throughput [kg/h]		Strands
PE/PP	0,92	6	70	140	211	8	94	187	281
PS/ABS/SAN	1,05	6	80	160	240	8	107	214	321
ABS/PC	1,07	6	82	163	245	8	109	218	327
PA	1,13	6	86	173	259	8	115	230	345
PC/ABS	1,18	6	89	177	270	8	120	240	360
PC	1,20	6	90	180	275	8	122	244	366
MB P40	1,30	6	92	183	298	8	132	265	397
PBT/PET	1,33	4	68	135	211	6	102	203	305
PA GF30	1,36	4	69	138	203	6	104	208	311
PA GF50	1,56	4	79	159	208	6	119	238	357
PBT GF50	1,72	4	88	175	238	6	131	263	394
FEP/PFA (PTFE)	2,15	4	109	219	263	6	164	328	492

The stated throughput capacities are based on a strand diameter of 3.0 mm, the stated solids density of the respective plastic and maximum speed of the pelletizer. This does not take account of the procedural limits of the plastics to be processed.

Of course, the pelletizer could be completed with a suitable cooling trough, air knife and sifter forming a complete pelletizing line. The adaption of our equipment to existing pelletizing lines, as well as the delivery of special customized machinery will be executed flexible, quick and affordable.



About us:

The PT Maschinenbau GmbH is a privately owned company, located in southern Germany. As specialists in strand pelletizing we deliver our products from here to customers throughout whole Europe and worldwide.

We bundle up the core competencies for design, engineering and construction of our products. For the further provision of services we complement our abilities us by using a proven network of suppliers and service providers. We prefer generating our products by using local and European suppliers.



During decades of working in this business area we have gained a comprehensive experience, derived from countless projects with notable customers in all industry sectors and countries. Based on this know-how, with a long lasting and well-rehearsed team, we generate proven, reliable and durable solutions for our customers.

Scope of products:

Cooling		Drying		Cutting		Sifting
Cooling trough	Cooling belt	Strand conveyance	Water circulation	Air wipe Air knife	Pelletizer	Sifter
PT-K150	PT-B100	PT-C100	PT-W20	PT-D50	PT-G50E	PT-S150
PT-K200	PT-B200	PT-C200	PT-W40	PT-D100	PT-G100E	PT-S300
PT-K250	PT-B300	PT-C300	PT-W60	PT-A75	PT-G120D	PT-S400
PT-K400			PT-W90	PT-A150	PT-G220D	PT-S400-DD
PT-K600			PT-W120	PT-A300	PT-G320D	PT-S550-DD
PT-K800			PT-W150	PT-A400		
				PT-A600		

PT Maschinenbau GmbH
Schafweide 3
D-63762 Grossostheim

Telefon: +49-(0)6026-95180-04
Telefax: +49-(0)6026-95180-05
eMail: office@pt-maschinenbau.com

Information and illustrations refer to the date of printing.
Subject to change. Version 2.1 - 2018-01