

Pelletizer  
PT-G100E - monodrive



# Pelletizer PT-G100E - monodrive

## handy

- little need for space
- very good usability
- easy to clean

## versatile

- with 24 possible combinations:
  - Operating side: left / right (mirror image)
  - Drive: 3,0 kW / 4,0 kW / 5,5 kW
  - Speed: 15-60 m / min / 22,5-90 m / min
  - Cutting rotor: tool steel / tungsten carbide flexible to configure
- optionally with interface to a higher-level controller (Industry 4.0 ready)
- optionally with noise insulation hood

## powerful

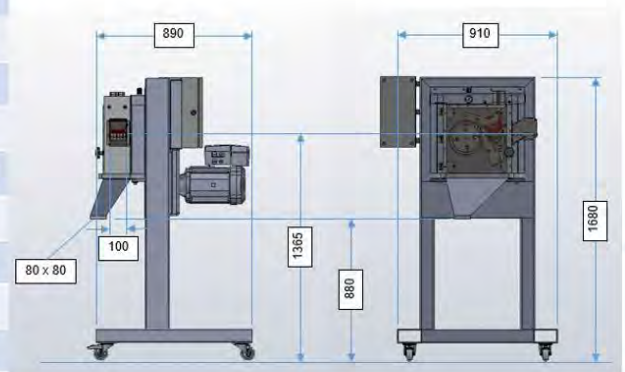
- pneumatic roller pressing with sensitive regulation and pressure indication
- cutting section drive with powerful motor and frequency converter (short-term overload capacity up to 175%)



The pelletizer PT-G100E - monodrive is thus optimally equipped for the efficient production of compounds or masterbatches. With specially tuned drive for high torque, secure intake and powerful cutting.

## Data / Dimensions:

	Pelletizer	PT-G100E
Working width	[mm]	100
No. of strands		max. 20
Throughput range	[kg/h]	max. 500
Drive power	[kW]	3,0 / 4,0 / 5,5
Velocity	[m/min]	15 - 60 / 22,5 - 90
Cutting length	[mm]	3,0
Cutting tool material		S01 / H02
Roller material		E01 / S02
Roller pressure		pneumatically
Sound level	[dbA]	<= 85
Weight	[kg]	450





### Throughput rates:

Pelletizer		PT-G100E-3,0			PT-G100E-4,0			PT-G100E-5,5		
Velocity range [m/min]		15 - 60		22,5-90	15 - 60		22,5-90	15 - 60		22,5-90
Products	[g/cm <sup>3</sup> ]	Strands	Throughput [kg/h]		Strands	Throughput [kg/h]		Strands	Throughput [kg/h]	
PE/PP	0,92	12	281	421	15	351	527	20	468	702
PS/ABS/SAN	1,05	12	321	481	15	401	601	20	534	802
ABS/PC	1,07	12	327	490	15	408	613	20	545	817
PA	1,13	12	345	518	15	431	647	20	575	863
PC/ABS	1,18	12	360	540	15	450	676	20	601	901
PC	1,20	12	366	550	15	458	687	20	611	916
MB P40	1,30	12	397	595	15	496	744	20	662	992
PBT/PET	1,33	9	305	457	12	406	609	15	508	761
PA GF30	1,36	9	311	467	12	415	623	15	519	779
PA GF50	1,56	9	357	536	12	476	715	15	595	893
PBT GF50	1,72	9	394	591	12	525	788	15	657	985
FEP/PFA/PTFE	2,15	9	492	739	12	657	985	15	821	1231

The stated throughput capacities are based on a strand diameter of 3.0 mm, the stated solids density of the respective plastic and maximum speed of the pelletizer. This does not take account of the procedural limits of the plastics to be processed.

Of course, the pelletizer could be completed with a suitable cooling trough, air knife and sifter forming a complete pelletizing line. The adaption of our equipment to existing pelletizing lines, as well as the delivery of special customized machinery will be executed flexible, quick and affordable.



### About us:

The PT Maschinenbau GmbH is a privately owned company, located in southern Germany. As specialists in strand pelletizing we deliver our products from here to customers throughout whole Europe and worldwide.

We bundle up the core competencies for design, engineering and construction of our products. For the further provision of services we complement our abilities us by using a proven network of suppliers and service providers. We prefer generating our products by using local and European suppliers.



During decades of working in this business area we have gained a comprehensive experience, derived from countless projects with notable customers in all industry sectors and countries. Based on this know-how, with a long lasting and well-rehearsed team, we generate proven, reliable and durable solutions for our customers.

### Scope of products:

Cooling		Drying		Cutting		Sifting
Cooling trough	Cooling belt	Strand conveyance	Water circulation	Air wipe Air knife	Pelletizer	Sifter
PT-K150	PT-B100	PT-C100	PT-W20	PT-D50	PT-G50E	PT-S150
PT-K200	PT-B200	PT-C200	PT-W40	PT-D100	PT-G100E	PT-S300
PT-K250	PT-B300	PT-C300	PT-W60	PT-A75	PT-G120D	PT-S400
PT-K400			PT-W90	PT-A150	PT-G220D	PT-S400-DD
PT-K600			PT-W120	PT-A300	PT-G320D	PT-S550-DD
PT-K800			PT-W150	PT-A400		
				PT-A600		

PT Maschinenbau GmbH  
Schafweide 3  
D-63762 Grossostheim

Telefon: +49-(0)6026-95180-04  
Telefax: +49-(0)6026-95180-05  
eMail: office@pt-maschinenbau.com

Information and illustrations refer to the date of printing.  
Subject to change. Version 2.1 - 2018-01